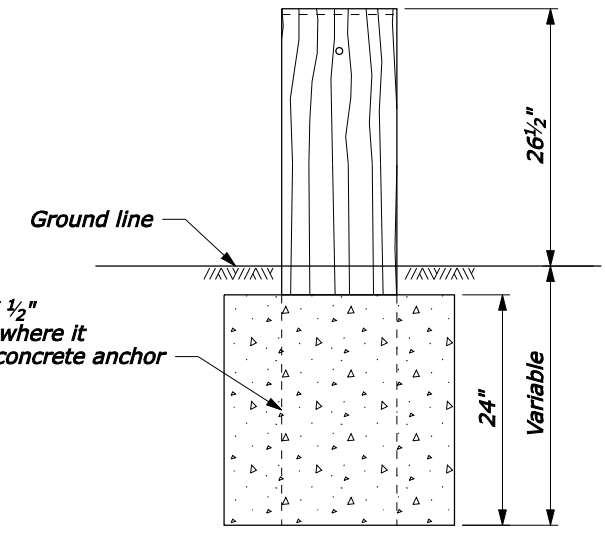
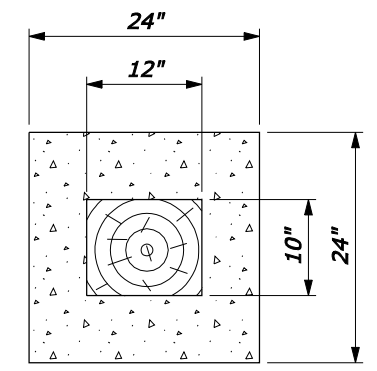
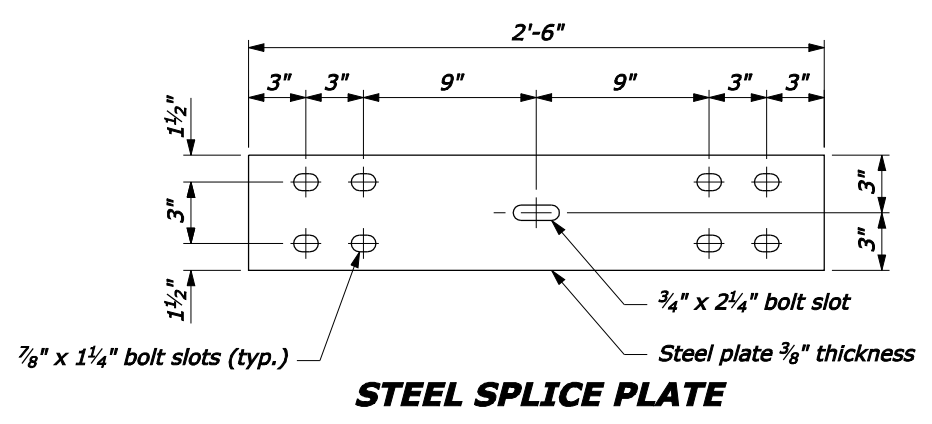
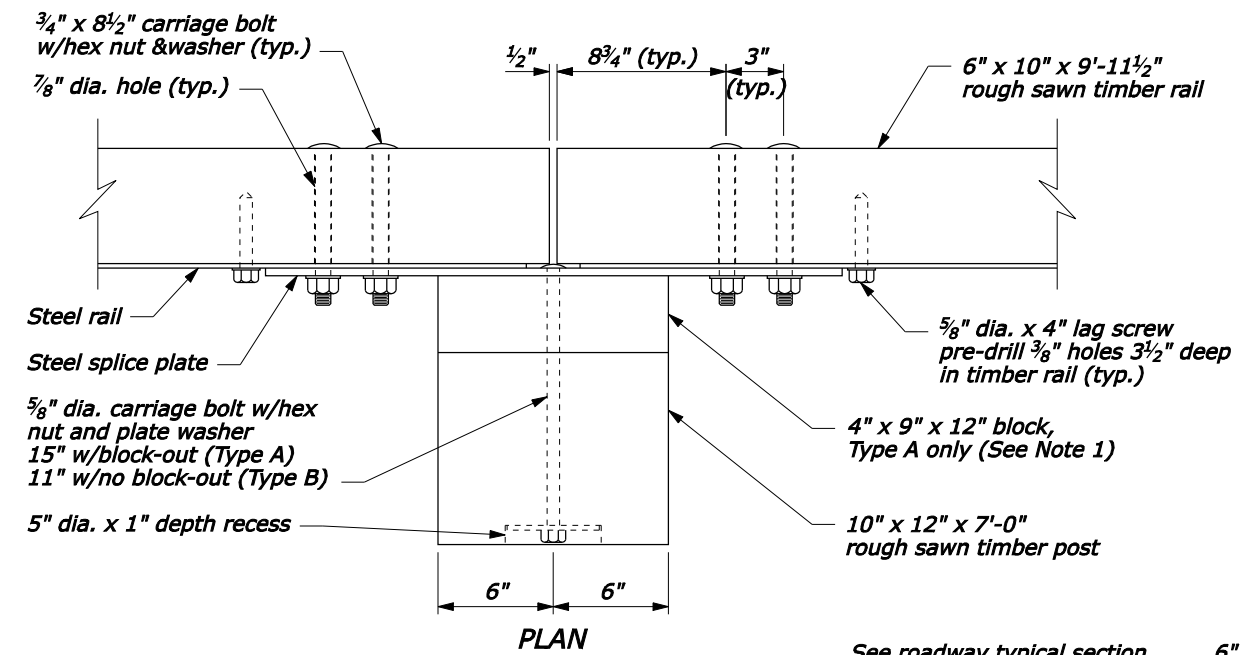
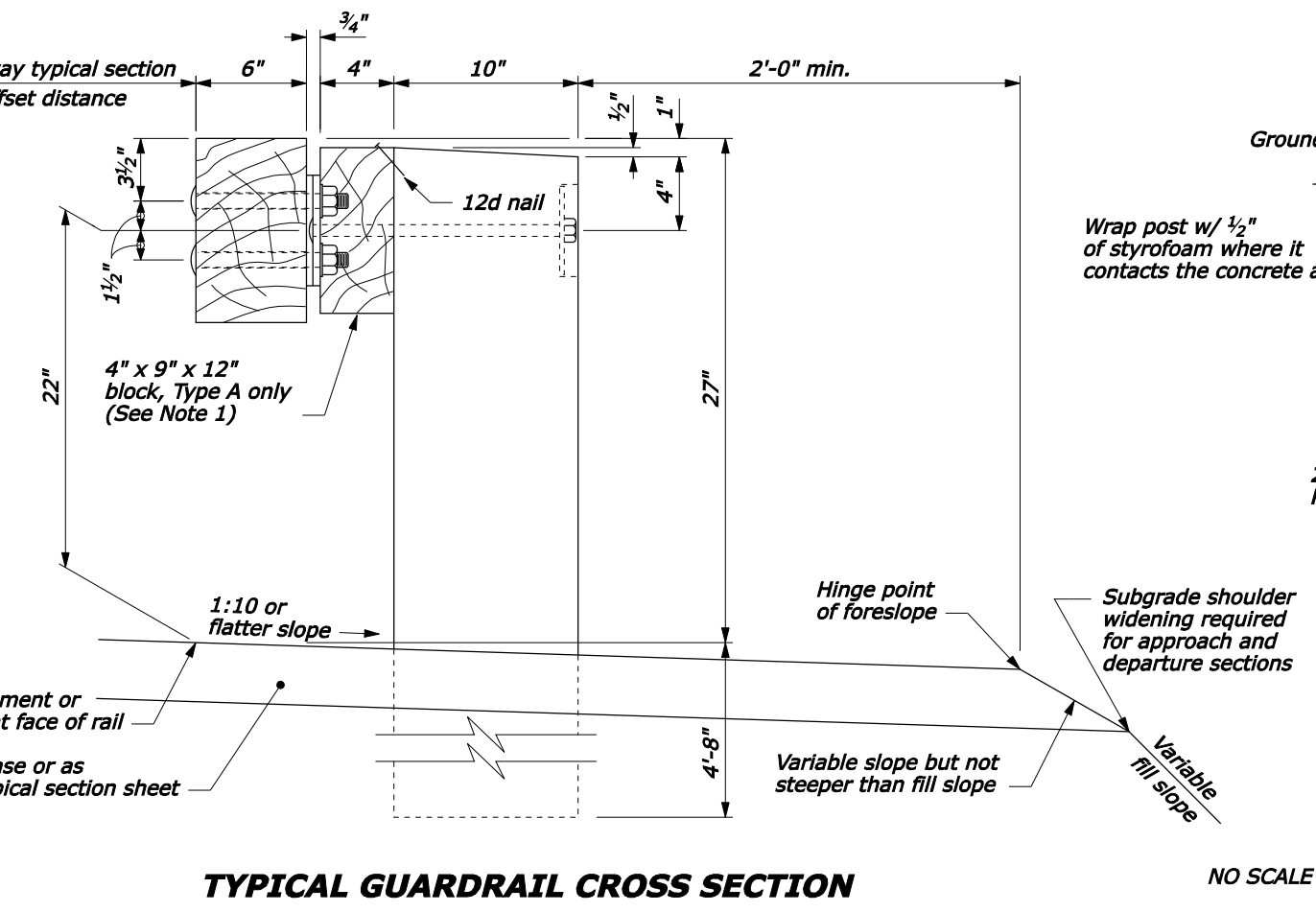
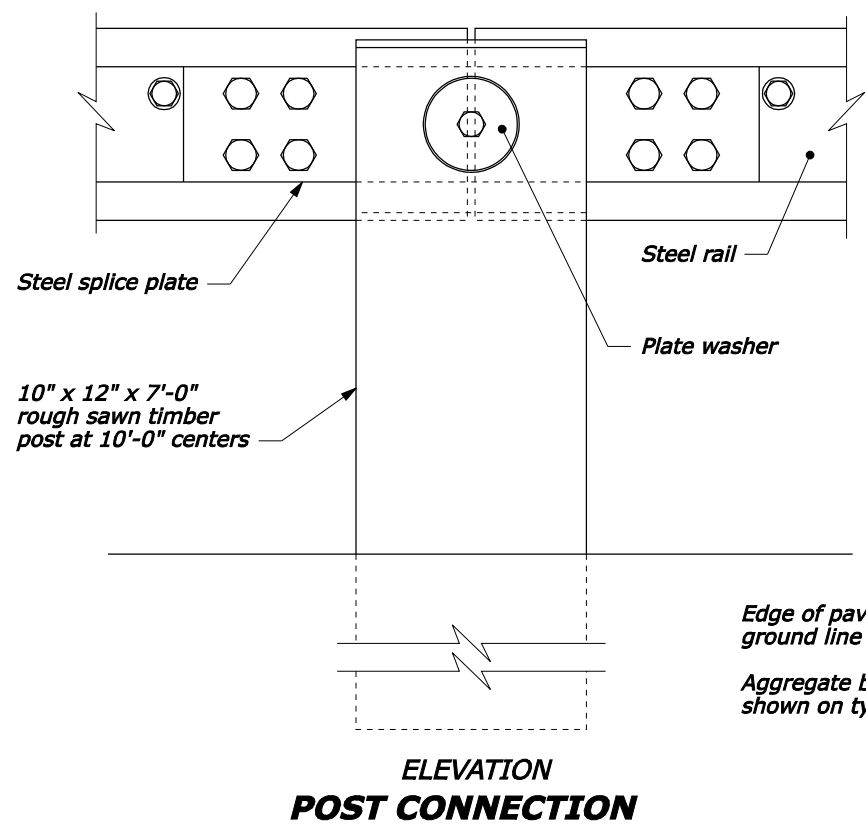


- NOTE:**
1. Use the Type A, blocked-out, system or the Type B, non-blocked-out, system as specified in the plans.
  2. Use weathering steel for all structural steel and fastener hardware as specified.
  3. Place a terminal section (See Standards 617-61 and 617-62) on both approach and trailing ends of barrier installations.



24" dia. round anchor is an acceptable alternative. Reduced size acceptable in solid rock.



NO SCALE

**CONCRETE ANCHOR FOR SHORT GUARDRAIL POST**

**STEEL-BACKED TIMBER GUARDRAIL TYPE A & TYPE B**

U.S. DEPARTMENT OF TRANSPORTATION FEDERAL HIGHWAY ADMINISTRATION FEDERAL LANDS HIGHWAY	
U.S. CUSTOMARY STANDARD	
<b>STEEL-BACKED TIMBER GUARDRAIL TYPE A &amp; TYPE B</b>	
STANDARD APPROVED FOR USE 3/1990	STANDARD
REVISED: 4/1994 6/2005	617-60

20-Sep-2007 06:42 AM F:\StdDraw\y661760.dgn [US Customary]