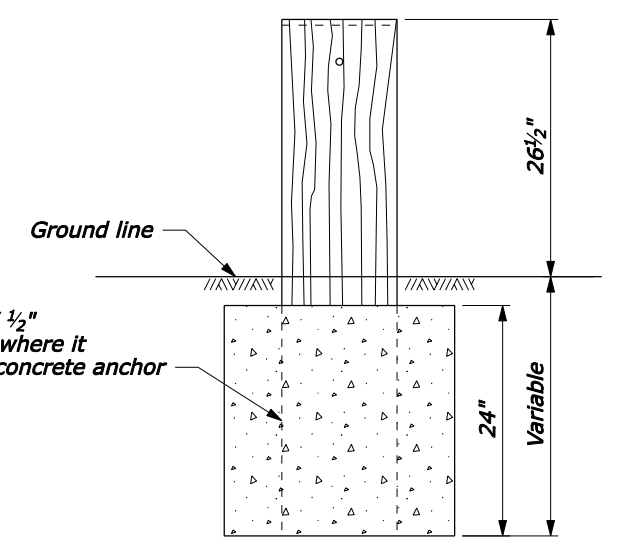
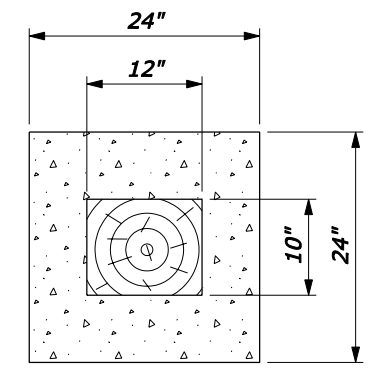
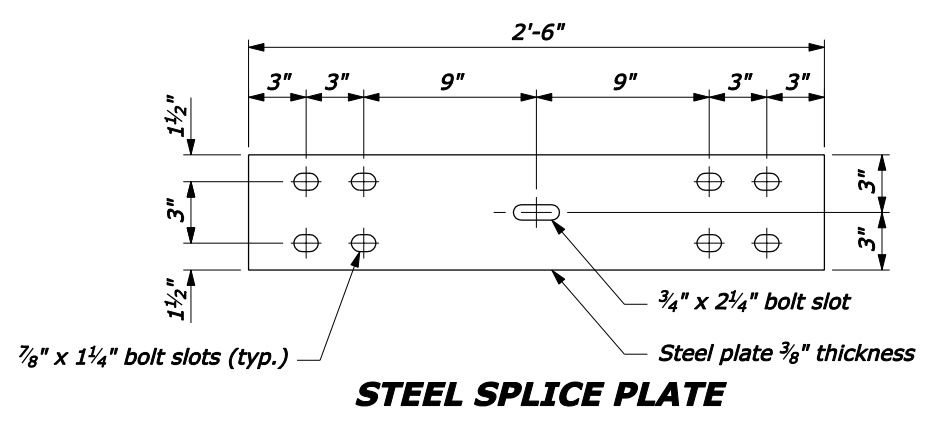
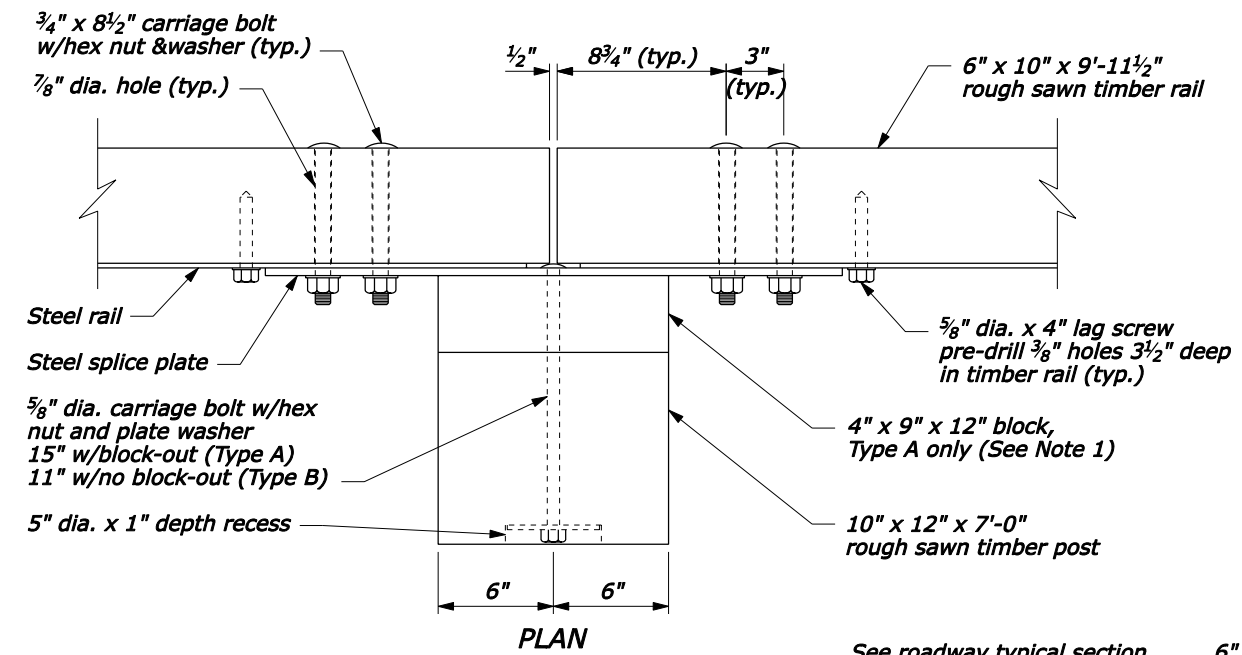
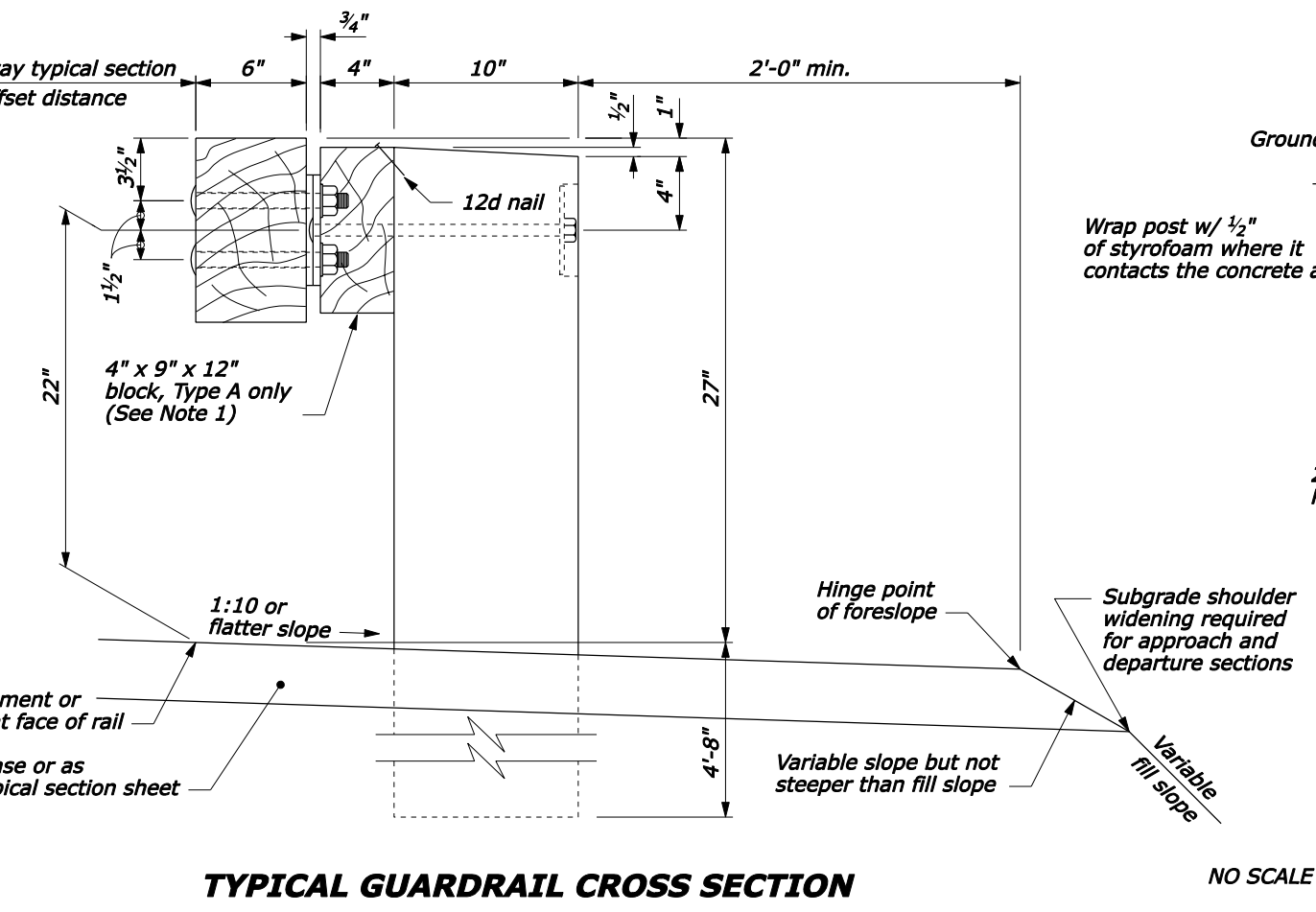
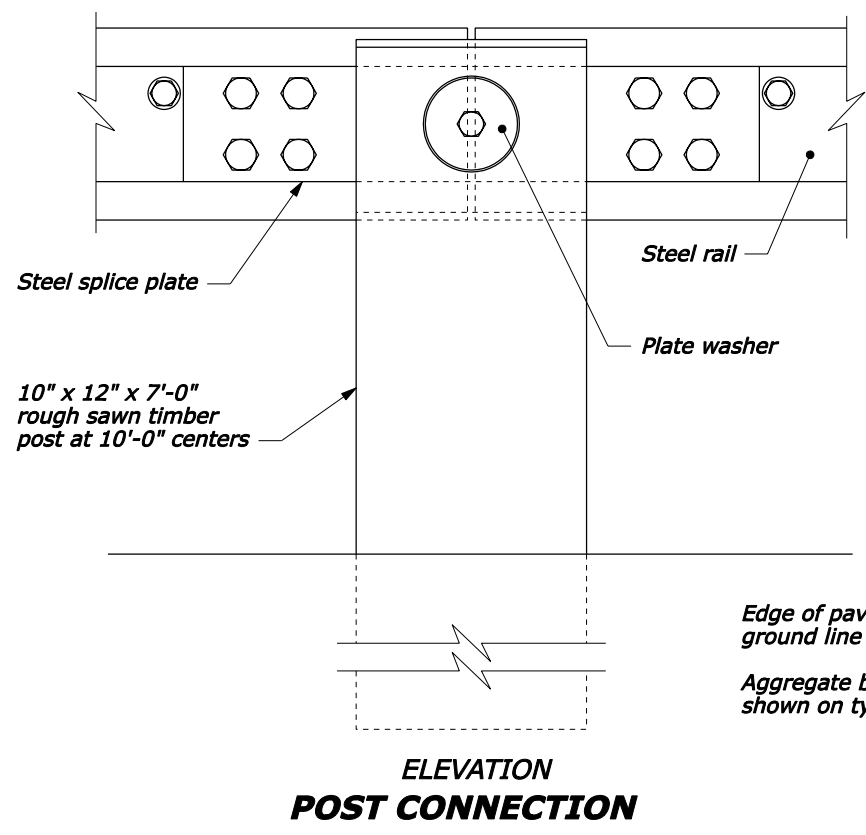


- NOTE:**
1. Use the Type A, blocked-out, system or the Type B, non-blocked-out, system as specified in the plans.
 2. Use weathering steel for all structural steel and fastener hardware as specified.
 3. Place a terminal section (See Standards 617-61 and 617-62) on both approach and trailing ends of barrier installations.



24" dia. round anchor is an acceptable alternative. Reduced size acceptable in solid rock.



NO SCALE

U.S. DEPARTMENT OF TRANSPORTATION FEDERAL HIGHWAY ADMINISTRATION FEDERAL LANDS HIGHWAY	
U.S. CUSTOMARY STANDARD	
STEEL-BACKED TIMBER GUARDRAIL TYPE A & TYPE B	
STANDARD APPROVED FOR USE 3/1990 REVISED: 4/1994 6/2005	STANDARD 617-60

F:\StanDraw\461760.dgn [US Customary] 16-Jun-2005 03:53 PM